

CAD FILE NAME: C:\Michael's Backlog\14 - SP Sewer Pump Station Electrical Standards Drawings\Variable Speed Drive Operation Single Line Diagram 2 of 2.dwg
 Plotted @ 05/9/2022 11:58am by mim

TERMINAL LEGEND

	FUSED DISCONNECT TERMINAL		MOTOR TERMINAL
	DISCONNECT TERMINAL		JUNCTION BOX TERMINAL
	MCC MOTOR STARTER TERMINAL		HLBU PLC TERMINAL
	PLC PANEL TERMINAL		OTHER TERMINAL - GENERAL

NOTES

THIS DRAWING IS TYPICAL ONLY. CONTRACTOR SHALL MODIFY TO SUIT THE EQUIPMENT OFFERED.

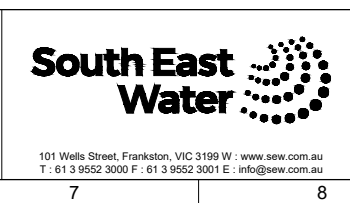
E000-01

Reference Line No
Schematic Sheet No.

REV	DESCRIPTION	JOB No	DRAFTER	DES REVIEW	PM APPD	DATE
0	REDRAW 2022		M.L.			15.03.22

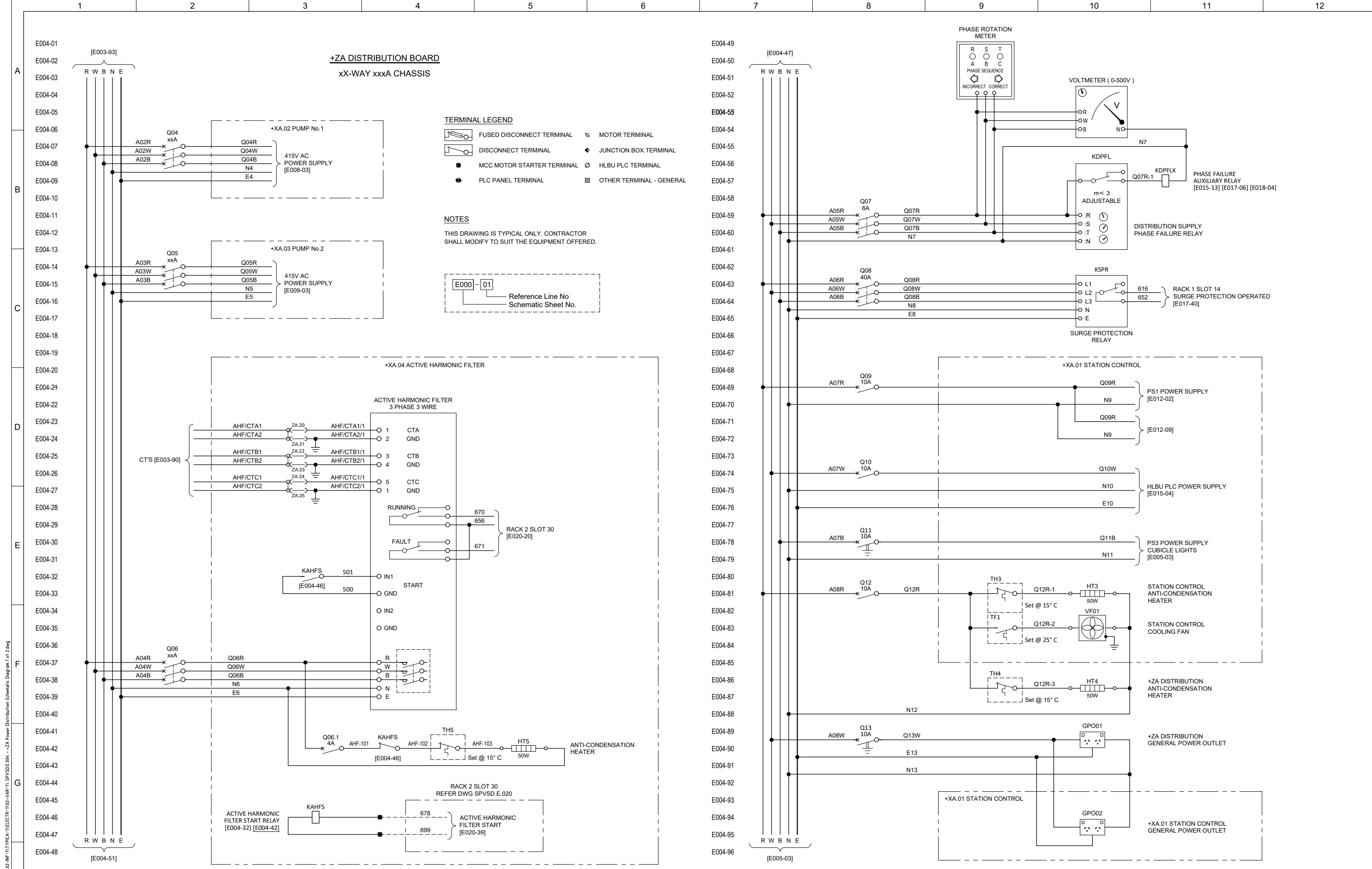
DESIGNER	DRAFTER	SEW PROJECT MANAGER
	M.LIM	
DESIGN REVIEW	DRAFT CHECK	ASSET/ENG. MANAGER
APPROVED		

COPYRIGHT
THIS DOCUMENT IS AND SHALL REMAIN THE PROPERTY OF SOUTH EAST WATER. THIS DOCUMENT MAY ONLY BE USED FOR THE PURPOSE FOR WHICH IT WAS COMMISSIONED AND IN ACCORDANCE WITH THE TERMS OF ENGAGEMENT FOR THE COMMISSION. THIS DESIGN SHOULD NOT BE COPIED OR AMENDED WITHOUT WRITTEN PERMISSION FROM SOUTH EAST WATER. UNAUTHORISED USE OF THIS DOCUMENT IN ANY WAY IS PROHIBITED.



SEWER PUMP STATION
DESIGN DRAWINGS STANDARDS
VARIABLE SPEED DRIVE (VSD) OPERATION
SINGLE LINE DIAGRAM (SHEET 2 OF 2)

DATUM:	
MELWAY REF:	
SCALE:	SHEET SIZE: A1
SEW DRAWING NUMBER	
SPVSD.E.002	
SEW JOB No:	REV
	0

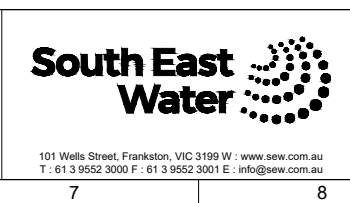


CAD FILE NAME: X:\DRAWING\103-ELF-112-MCH-1102-NF-1117PCA-11ELECTR-1102-VAR-11-SPVSD.E.004 - +ZA Power Distribution Schematic Diagram 1 of 2.dwg
 Plotted @ 19/10/2022 6:41am by mlm

REV	DESCRIPTION	JOB No	DRAFTER	DES REVIEW	PM APPD	DATE	VENDOR DRAWING No.
0	REDRAW 2022		M.L.			15.03.22	

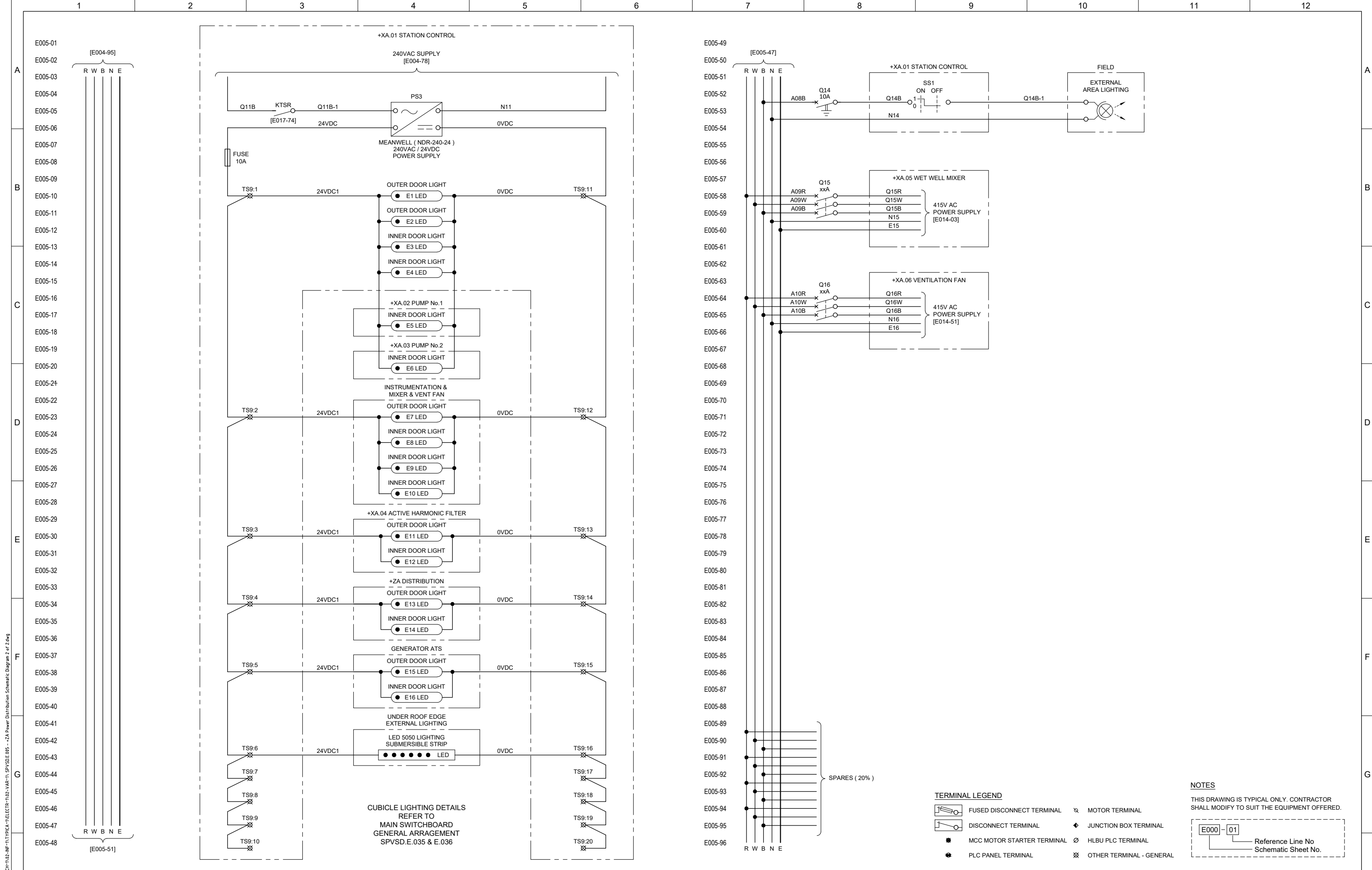
DESIGNER	DRAFTER	SEW PROJECT MANAGER
DESIGN REVIEW	DRAFT CHECK	ASSET/ENG. MANAGER
APPROVED		

COPYRIGHT
THIS DOCUMENT IS AND SHALL REMAIN THE PROPERTY OF SOUTH EAST WATER. THIS DOCUMENT MAY ONLY BE USED FOR THE PURPOSE FOR WHICH IT WAS COMMISSIONED AND IN ACCORDANCE WITH THE TERMS OF ENGAGEMENT FOR THE COMMISSION. THIS DESIGN SHOULD NOT BE COPIED OR AMENDED WITHOUT WRITTEN PERMISSION FROM SOUTH EAST WATER. UNAUTHORISED USE OF THIS DOCUMENT IN ANY WAY IS PROHIBITED.



SEWER PUMP STATION
DESIGN DRAWINGS STANDARDS
+ZA POWER DISTRIBUTION
SCHEMATIC DIAGRAM (SHEET 1 OF 2)

DATUM:	
MELWAY REF:	
SCALE:	SHEET SIZE: A1
SEW DRAWING NUMBER	
SPVSD.E.004	
SEW JOB No:	0
	REV



CAD FILE NAME: X:\DRAWING\103-ELC\112-MCH-112-NF-TYPICAL-ELECTRICAL-VAR-11-SPVSD.E.005 - +ZA Power Distribution Schematic Diagram 2 of 2.dwg
 Plotter: 19/10/2022 6:41am by mim

REV	DESCRIPTION	JOB No	DRAFTER	DES REVIEW	PM APPD	DATE	VENDOR DRAWING No:
0	REDRAW 2022		M.L.			15.03.22	

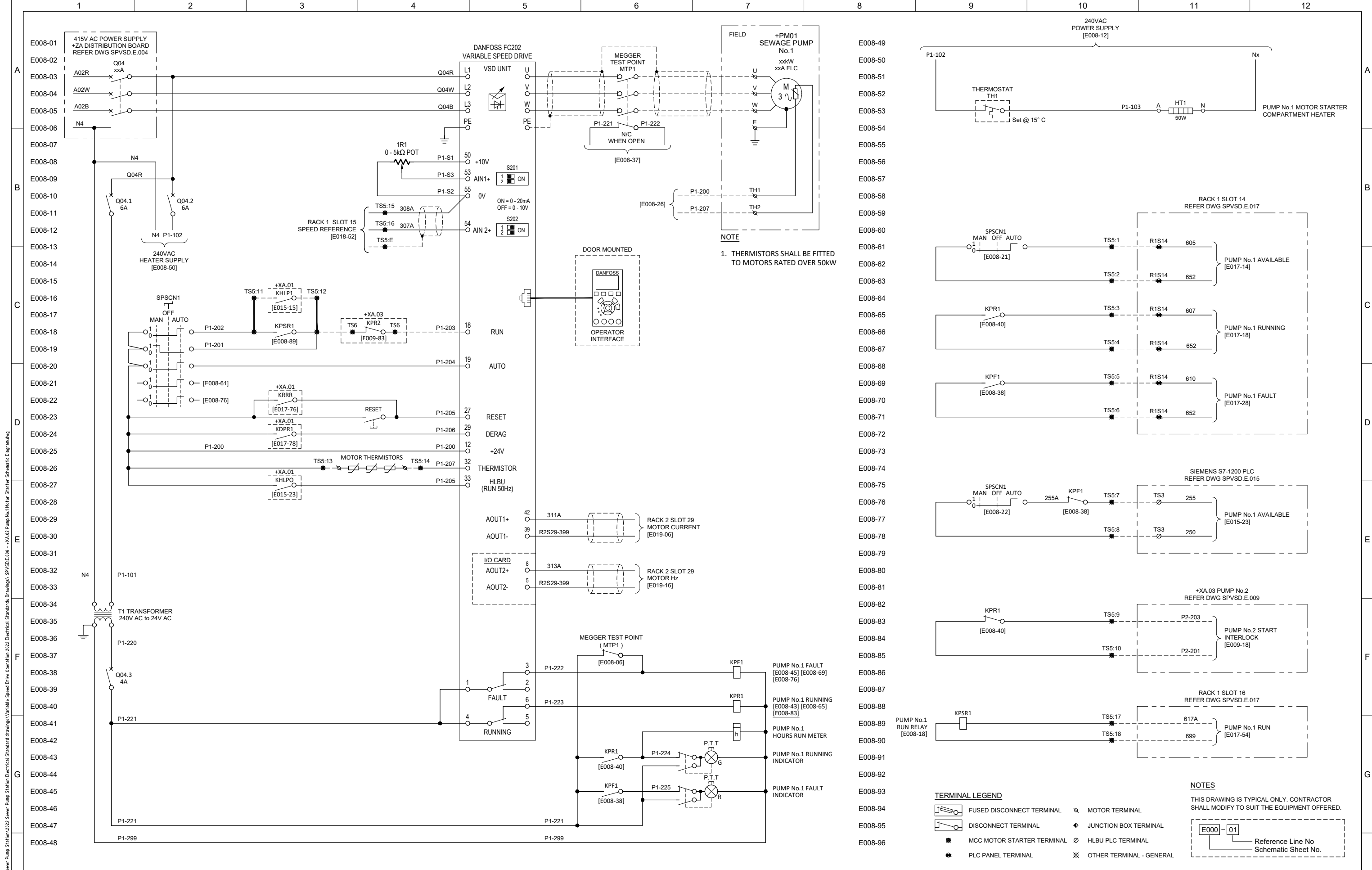
DESIGNER	DRAFTER	SEW PROJECT MANAGER
M.LIM	M.LIM	
DESIGN REVIEW	DRAFT CHECK	ASSET/ENG. MANAGER
APPROVED		

COPYRIGHT
 THIS DOCUMENT IS AND SHALL REMAIN THE PROPERTY OF SOUTH EAST WATER. THIS DOCUMENT MAY ONLY BE USED FOR THE PURPOSE FOR WHICH IT WAS COMMISSIONED AND IN ACCORDANCE WITH THE TERMS OF ENGAGEMENT FOR THE COMMISSION. THIS DESIGN SHOULD NOT BE COPIED OR AMENDED WITHOUT WRITTEN PERMISSION FROM SOUTH EAST WATER. UNAUTHORIZED USE OF THIS DOCUMENT IN ANY WAY IS PROHIBITED. ©

101 Wells Street, Frankston, VIC 3199 W : www.sew.com.au
 T : 61 3 9552 3000 F : 61 3 9552 3001 E : info@sew.com.au

SEWER PUMP STATION
DESIGN DRAWINGS STANDARDS
+ZA POWER DISTRIBUTION
SCHEMATIC DIAGRAM (SHEET 2 OF 2)

DATUM:	
MELWAY REF:	
SCALE:	SHEET SIZE: A1
SEW DRAWING NUMBER	
SPVSD.E.005	
SEW JOB No:	0
	REV



E008-01
E008-02
E008-03
E008-04
E008-05
E008-06
E008-07
E008-08
E008-09
E008-10
E008-11
E008-12
E008-13
E008-14
E008-15
E008-16
E008-17
E008-18
E008-19
E008-20
E008-21
E008-22
E008-23
E008-24
E008-25
E008-26
E008-27
E008-28
E008-29
E008-30
E008-31
E008-32
E008-33
E008-34
E008-35
E008-36
E008-37
E008-38
E008-39
E008-40
E008-41
E008-42
E008-43
E008-44
E008-45
E008-46
E008-47
E008-48
E008-49
E008-50
E008-51
E008-52
E008-53
E008-54
E008-55
E008-56
E008-57
E008-58
E008-59
E008-60
E008-61
E008-62
E008-63
E008-64
E008-65
E008-66
E008-67
E008-68
E008-69
E008-70
E008-71
E008-72
E008-73
E008-74
E008-75
E008-76
E008-77
E008-78
E008-79
E008-80
E008-81
E008-82
E008-83
E008-84
E008-85
E008-86
E008-87
E008-88
E008-89
E008-90
E008-91
E008-92
E008-93
E008-94
E008-95
E008-96

TERMINAL LEGEND

	FUSED DISCONNECT TERMINAL		MOTOR TERMINAL
	DISCONNECT TERMINAL		JUNCTION BOX TERMINAL
	MCC MOTOR STARTER TERMINAL		HLBU PLC TERMINAL
	PLC PANEL TERMINAL		OTHER TERMINAL - GENERAL

NOTES

THIS DRAWING IS TYPICAL ONLY. CONTRACTOR SHALL MODIFY TO SUIT THE EQUIPMENT OFFERED.

Reference Line No
Schematic Sheet No.

REV	DESCRIPTION	JOB No	DRAFTER	DES REVIEW	PM APPD	DATE	VENDOR DRAWING No.
0	REDRAW 2022		M.L.			15.03.22	

DESIGNER	DRAFTER	SEW PROJECT MANAGER
	M.LIM	
DESIGN REVIEW	DRAFT CHECK	ASSET/ENG. MANAGER
APPROVED		

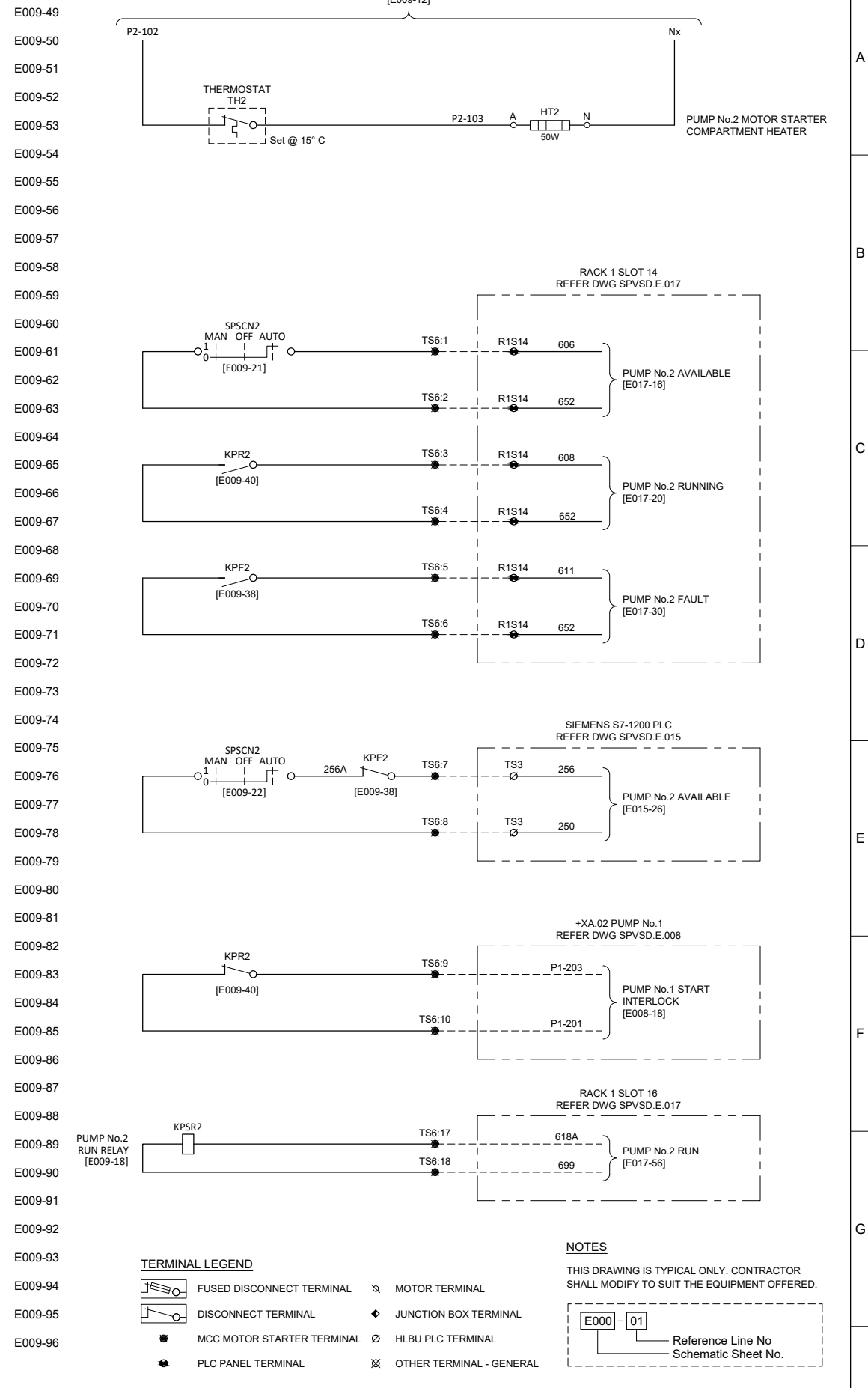
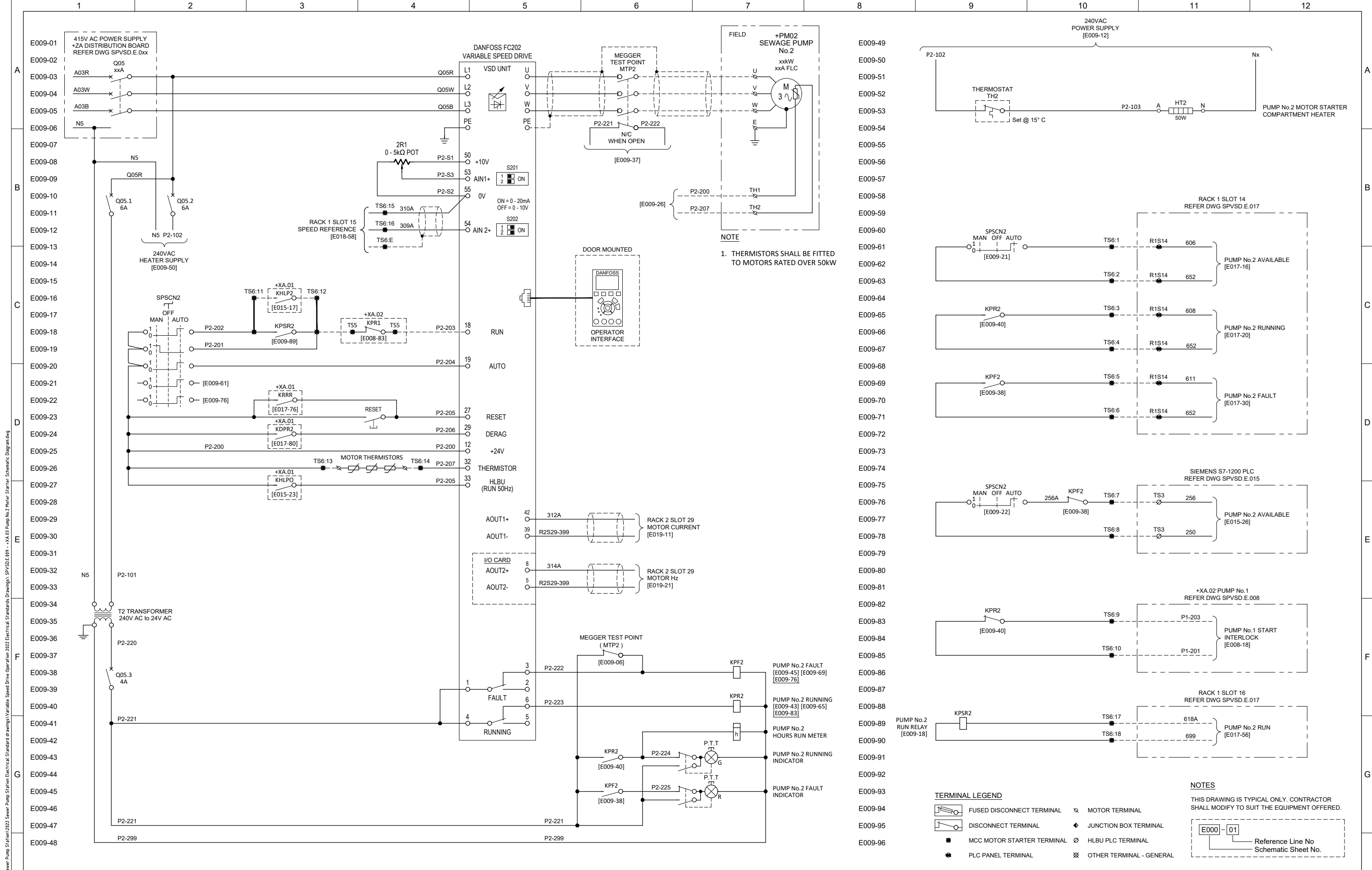
COPYRIGHT
THIS DOCUMENT IS AND SHALL REMAIN THE PROPERTY OF SOUTH EAST WATER. THIS DOCUMENT MAY ONLY BE USED FOR THE PURPOSE FOR WHICH IT WAS COMMISSIONED AND IN ACCORDANCE WITH THE TERMS OF ENGAGEMENT FOR THE COMMISSION. THIS DESIGN SHOULD NOT BE COPIED OR AMENDED WITHOUT WRITTEN PERMISSION FROM SOUTH EAST WATER. UNAUTHORISED USE OF THIS DOCUMENT IN ANY WAY IS PROHIBITED.



101 Wells Street, Frankston, VIC 3199 W : www.sew.com.au
T : 61 3 9552 3000 F : 61 3 9552 3001 E : info@sew.com.au

**SEWER PUMP STATION
DESIGN DRAWINGS STANDARDS
+XA.02 PUMP No.1 MOTOR STARTER
SCHEMATIC DIAGRAM**

DATUM:	
MELWAY REF:	
SCALE:	SHEET SIZE: A1
SEW DRAWING NUMBER	
SPVSD.E.008	
SEW JOB No:	0
REV	12



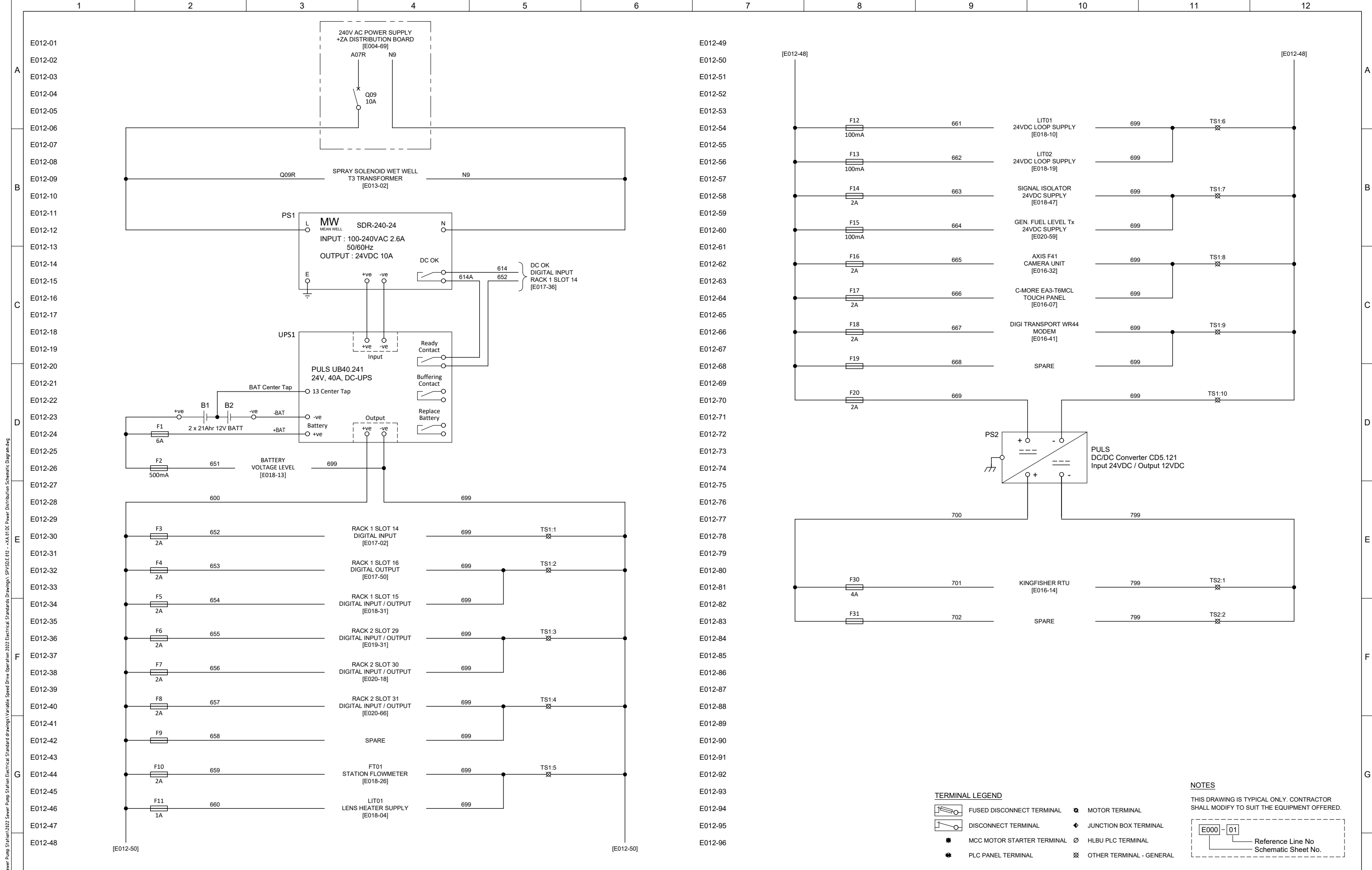
DESIGNER	DRAFTER	SEW PROJECT MANAGER	COPYRIGHT
M.L.M	M.L.M		"THIS DOCUMENT IS AND SHALL REMAIN THE PROPERTY OF SOUTH EAST WATER. THIS DOCUMENT MAY ONLY BE USED FOR THE PURPOSE FOR WHICH IT WAS COMMISSIONED AND IN ACCORDANCE WITH THE TERMS OF ENGAGEMENT FOR THE COMMISSION. THIS DESIGN SHOULD NOT BE COPIED OR AMENDED WITHOUT WRITTEN PERMISSION FROM SOUTH EAST WATER. UNAUTHORISED USE OF THIS DOCUMENT IN ANY WAY IS PROHIBITED."
DESIGN REVIEW	DRAFT CHECK	ASSET/ENG. MANAGER	
APPROVED			
0	REDDRAW 2022	M.L.	15.03.22
REV	DESCRIPTION	JOB No	DRAFTER
1			
2			
3			
4			
5			

DESIGNER: M.L.M
 DRAFTER: M.L.M
 SEW PROJECT MANAGER: [Blank]
 DESIGN REVIEW: [Blank]
 DRAFT CHECK: [Blank]
 ASSET/ENG. MANAGER: [Blank]
 APPROVED: [Blank]
 DATE: 15.03.22
 VENDOR DRAWING No.: [Blank]

South East Water
 101 Wells Street, Frankston, VIC 3199 W : www.sew.com.au
 T : 61 3 9552 3000 F : 61 3 9552 3001 E : info@sew.com.au

SEWER PUMP STATION
DESIGN DRAWINGS STANDARDS
+XA.03 PUMP No.2 MOTOR STARTER
SCHEMATIC DIAGRAM

DATUM:	
MELWAY REF:	
SCALE:	SHEET SIZE: A1
SEW DRAWING NUMBER	
SPVSD.E.009	
SEW JOB No:	0
	REV

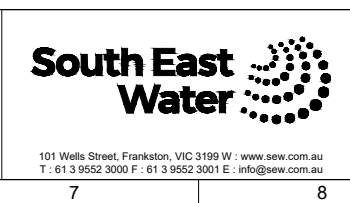


CAD FILE NAME: C:\Michael's Backup\NLS - SP Sewer Pump Station\2022 Electrical Standards Drawings\Variable Speed Drive Operation 2022 Electrical Standards Drawings\SPVSD.E.012 - +XA.01 DC Power Distribution Schematic Diagram.dwg
 Plotted @ 05/9/2022 11:58am by mim

REV	DESCRIPTION	JOB No	DRAFTER	DES REVIEW	PM APPD	DATE
1	UPS REVISED TO PULS UB40.241 (WAS MEAN WELL)		M.L.			15.08.22
0	REDRAW 2022		M.L.			15.03.22

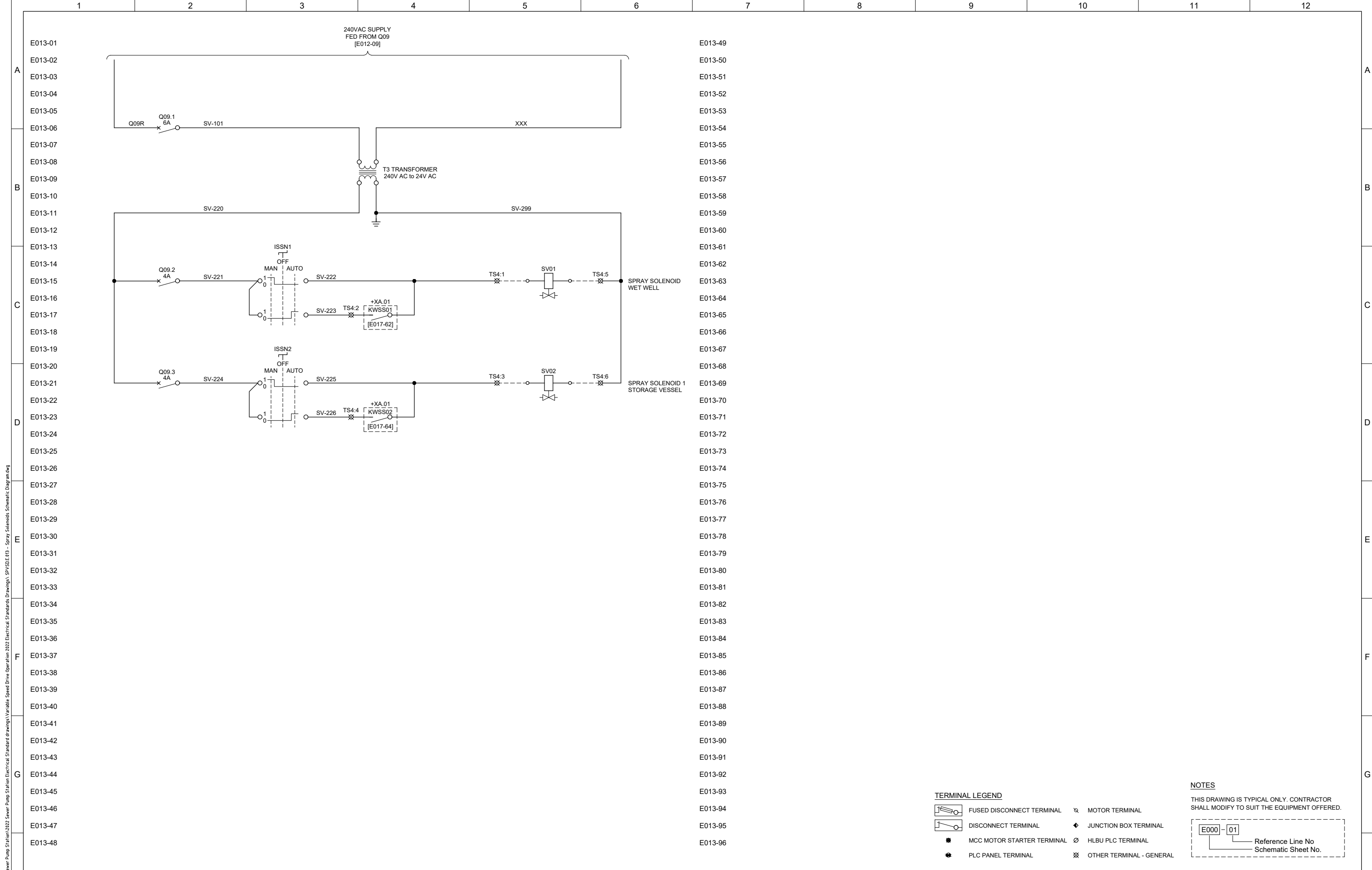
DESIGNER	M.LIM	SEW PROJECT MANAGER
DRAFT REVIEW	DRAFT CHECK	ASSET/ENG. MANAGER
APPROVED		

COPYRIGHT
 THIS DOCUMENT IS AND SHALL REMAIN THE PROPERTY OF SOUTH EAST WATER. THIS DOCUMENT MAY ONLY BE USED FOR THE PURPOSE FOR WHICH IT WAS COMMISSIONED AND IN ACCORDANCE WITH THE TERMS OF ENGAGEMENT FOR THE COMMISSION. THIS DESIGN SHOULD NOT BE COPIED OR AMENDED WITHOUT WRITTEN PERMISSION FROM SOUTH EAST WATER. UNAUTHORISED USE OF THIS DOCUMENT IN ANY WAY IS PROHIBITED. ©



SEWER PUMP STATION
DESIGN DRAWINGS STANDARDS
+XA.01 DC POWER DISTRIBUTION
SCHEMATIC DIAGRAM

DATUM:	
MELWAY REF:	
SCALE:	SHEET SIZE: A1
SEW DRAWING NUMBER	
SPVSD.E.012	
SEW JOB No:	1
	REV



CAD FILE NAME: C:\Michael's Backlog\11 - SP - Sewer Pump Station\2022 Electrical Standards Drawings\SPVSD.E.013 - Spray Solenoids Schematic Diagram.dwg
 Plotted @ 06/09/2022 2:44pm by mim

E013-01
 E013-02
 E013-03
 E013-04
 E013-05
 E013-06
 E013-07
 E013-08
 E013-09
 E013-10
 E013-11
 E013-12
 E013-13
 E013-14
 E013-15
 E013-16
 E013-17
 E013-18
 E013-19
 E013-20
 E013-21
 E013-22
 E013-23
 E013-24
 E013-25
 E013-26
 E013-27
 E013-28
 E013-29
 E013-30
 E013-31
 E013-32
 E013-33
 E013-34
 E013-35
 E013-36
 E013-37
 E013-38
 E013-39
 E013-40
 E013-41
 E013-42
 E013-43
 E013-44
 E013-45
 E013-46
 E013-47
 E013-48

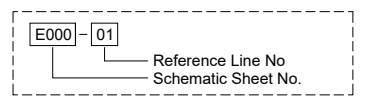
E013-49
 E013-50
 E013-51
 E013-52
 E013-53
 E013-54
 E013-55
 E013-56
 E013-57
 E013-58
 E013-59
 E013-60
 E013-61
 E013-62
 E013-63
 E013-64
 E013-65
 E013-66
 E013-67
 E013-68
 E013-69
 E013-70
 E013-71
 E013-72
 E013-73
 E013-74
 E013-75
 E013-76
 E013-77
 E013-78
 E013-79
 E013-80
 E013-81
 E013-82
 E013-83
 E013-84
 E013-85
 E013-86
 E013-87
 E013-88
 E013-89
 E013-90
 E013-91
 E013-92
 E013-93
 E013-94
 E013-95
 E013-96

TERMINAL LEGEND

- FUSED DISCONNECT TERMINAL
- DISCONNECT TERMINAL
- MCC MOTOR STARTER TERMINAL
- PLC PANEL TERMINAL
- MOTOR TERMINAL
- JUNCTION BOX TERMINAL
- HLBU PLC TERMINAL
- OTHER TERMINAL - GENERAL

NOTES

THIS DRAWING IS TYPICAL ONLY. CONTRACTOR SHALL MODIFY TO SUIT THE EQUIPMENT OFFERED.



REV	DESCRIPTION	JOB No	DRAFTER	DES REVIEW	PM APPD	DATE	VENDOR DRAWING No.
0	REDRAW 2022		M.L.			15.03.22	

DESIGNER	DRAFTER	SEW PROJECT MANAGER
	M.LIM	
DESIGN REVIEW	DRAFT CHECK	ASSET/ENG. MANAGER
APPROVED		

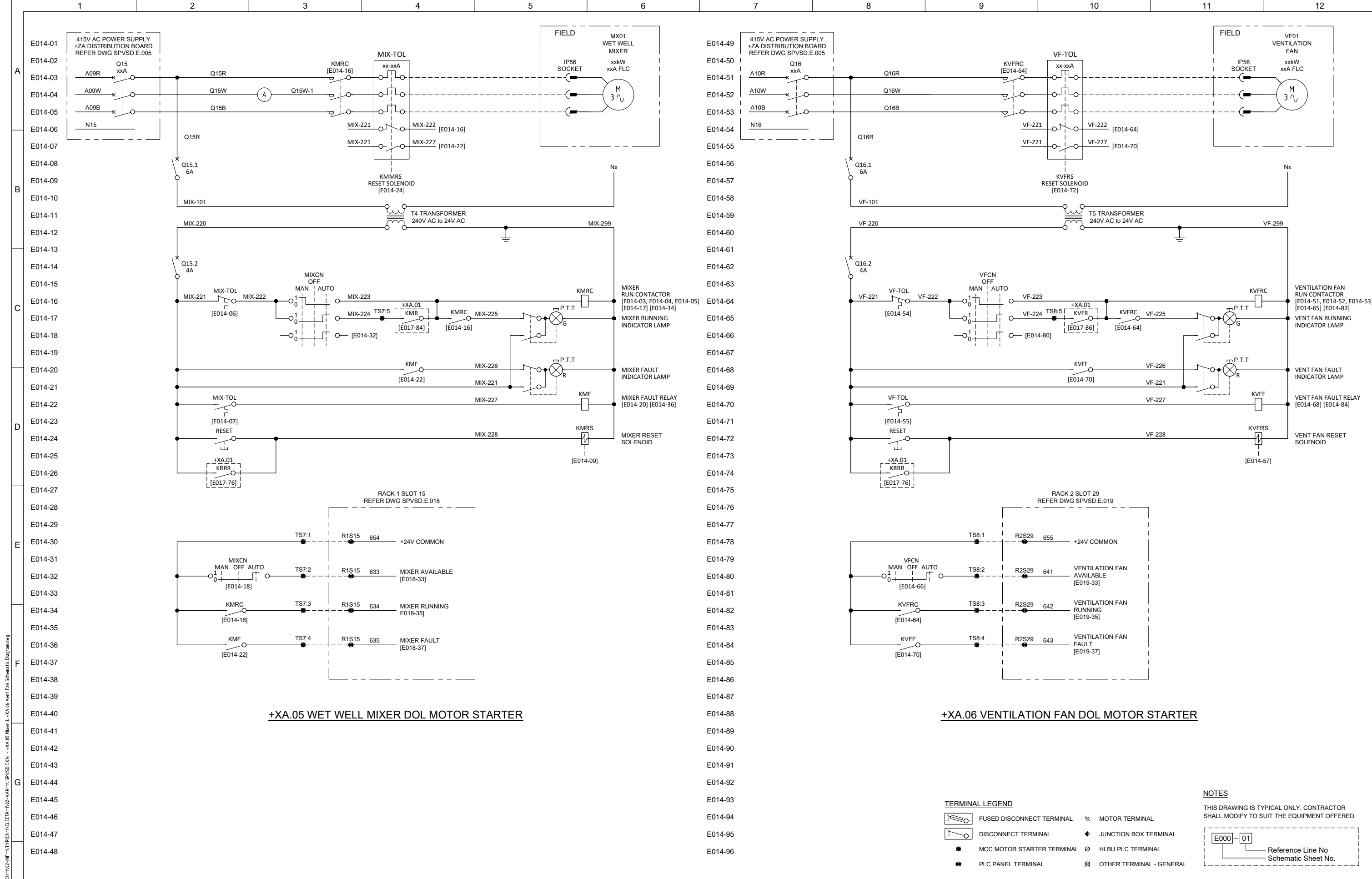
COPYRIGHT
THIS DOCUMENT IS AND SHALL REMAIN THE PROPERTY OF SOUTH EAST WATER. THIS DOCUMENT MAY ONLY BE USED FOR THE PURPOSE FOR WHICH IT WAS COMMISSIONED AND IN ACCORDANCE WITH THE TERMS OF ENGAGEMENT FOR THE COMMISSION. THIS DESIGN SHOULD NOT BE COPIED OR AMENDED WITHOUT WRITTEN PERMISSION FROM SOUTH EAST WATER. UNAUTHORISED USE OF THIS DOCUMENT IN ANY WAY IS PROHIBITED.



101 Wells Street, Frankston, VIC 3199 W : www.sew.com.au
T : 61 3 9552 3000 F : 61 3 9552 3001 E : info@sew.com.au

SEWER PUMP STATION
DESIGN DRAWINGS STANDARDS
SPRAY SOLENOIDS
SCHEMATIC DIAGRAM

DATUM:	
MELWAY REF:	
SCALE:	SHEET SIZE: A1
SEW DRAWING NUMBER	
SPVSD.E.013	
SEW JOB No:	REV
	0



+XA.05 WET WELL MIXER DOL MOTOR STARTER

+XA.06 VENTILATION FAN DOL MOTOR STARTER

TERMINAL LEGEND

	FUSED DISCONNECT TERMINAL		MOTOR TERMINAL
	DISCONNECT TERMINAL		JUNCTION BOX TERMINAL
	MCC MOTOR STARTER TERMINAL		HLBU PLC TERMINAL
	PLC PANEL TERMINAL		OTHER TERMINAL - GENERAL

NOTES

THIS DRAWING IS TYPICAL ONLY. CONTRACTOR SHALL MODIFY TO SUIT THE EQUIPMENT OFFERED.

Reference Line No Schematic Sheet No.

REV	DESCRIPTION	JOB No	DRAFTER	DES REVIEW	PM APPD	DATE	VENDOR DRAWING No.
0	REDRAW 2022		M.L.			15.03.22	

DESIGNER	M.LIM	SEW PROJECT MANAGER
DESIGN REVIEW	DRAFT CHECK	ASSET/ENG. MANAGER
APPROVED		

COPYRIGHT
THIS DOCUMENT IS AND SHALL REMAIN THE PROPERTY OF SOUTH EAST WATER. THIS DOCUMENT MAY ONLY BE USED FOR THE PURPOSE FOR WHICH IT WAS COMMISSIONED AND IN ACCORDANCE WITH THE TERMS OF ENGAGEMENT FOR THE COMMISSION. THIS DESIGN SHOULD NOT BE COPIED OR AMENDED WITHOUT WRITTEN PERMISSION FROM SOUTH EAST WATER. UNAUTHORISED USE OF THIS DOCUMENT IN ANY WAY IS PROHIBITED.

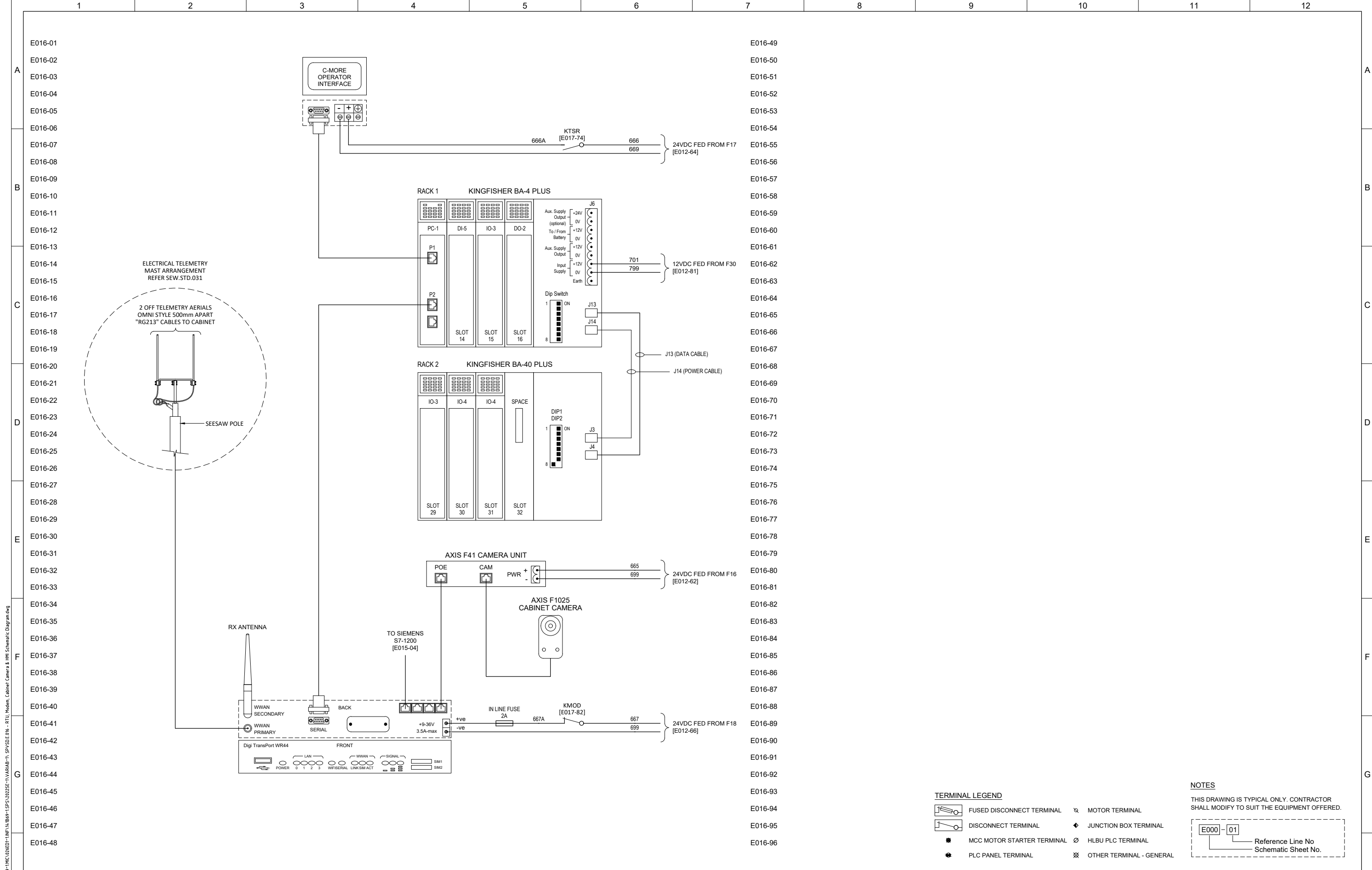


101 Wells Street, Frankston, VIC 3199 W : www.sew.com.au
T : 61 3 9552 3000 F : 61 3 9552 3001 E : info@sew.com.au

**SEWER PUMP STATION
DESIGN DRAWINGS STANDARDS
+XA.05 MIXER & +XA.06 VENTILATION FAN
SCHEMATIC DIAGRAM**

DATUM:	
MELWAY REF:	
SCALE:	SHEET SIZE: A1
SEW DRAWING NUMBER	
SPVSD.E.014	
SEW JOB No:	0
REV	12

CAD FILE NAME: X:\DRAWING\103-ELF-112-MCH-1122-NF-112PCA-11ELECTR-112-VAR-11-SPVSD.E.014 - +XA.05 Mixer & +XA.06 Vent Fan Schematic Diagram.dwg



E016-01
E016-02
E016-03
E016-04
E016-05
E016-06
E016-07
E016-08
E016-09
E016-10
E016-11
E016-12
E016-13
E016-14
E016-15
E016-16
E016-17
E016-18
E016-19
E016-20
E016-21
E016-22
E016-23
E016-24
E016-25
E016-26
E016-27
E016-28
E016-29
E016-30
E016-31
E016-32
E016-33
E016-34
E016-35
E016-36
E016-37
E016-38
E016-39
E016-40
E016-41
E016-42
E016-43
E016-44
E016-45
E016-46
E016-47
E016-48

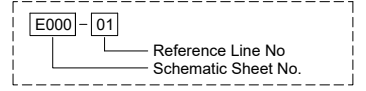
E016-49
E016-50
E016-51
E016-52
E016-53
E016-54
E016-55
E016-56
E016-57
E016-58
E016-59
E016-60
E016-61
E016-62
E016-63
E016-64
E016-65
E016-66
E016-67
E016-68
E016-69
E016-70
E016-71
E016-72
E016-73
E016-74
E016-75
E016-76
E016-77
E016-78
E016-79
E016-80
E016-81
E016-82
E016-83
E016-84
E016-85
E016-86
E016-87
E016-88
E016-89
E016-90
E016-91
E016-92
E016-93
E016-94
E016-95
E016-96

TERMINAL LEGEND

- FUSED DISCONNECT TERMINAL
- DISCONNECT TERMINAL
- MCC MOTOR STARTER TERMINAL
- PLC PANEL TERMINAL
- MOTOR TERMINAL
- JUNCTION BOX TERMINAL
- HLBU PLC TERMINAL
- OTHER TERMINAL - GENERAL

NOTES

THIS DRAWING IS TYPICAL ONLY. CONTRACTOR SHALL MODIFY TO SUIT THE EQUIPMENT OFFERED.



REV	DESCRIPTION	JOB No	DRAFTER	DES REVIEW	PM APPD	DATE	VENDOR DRAWING No.
0	REDRAW 2022		M.L.			15.03.22	

DESIGNER	DRAFTER	SEW PROJECT MANAGER
M.LIM	M.LIM	
DESIGN REVIEW	DRAFT CHECK	ASSET/ENG. MANAGER
APPROVED		

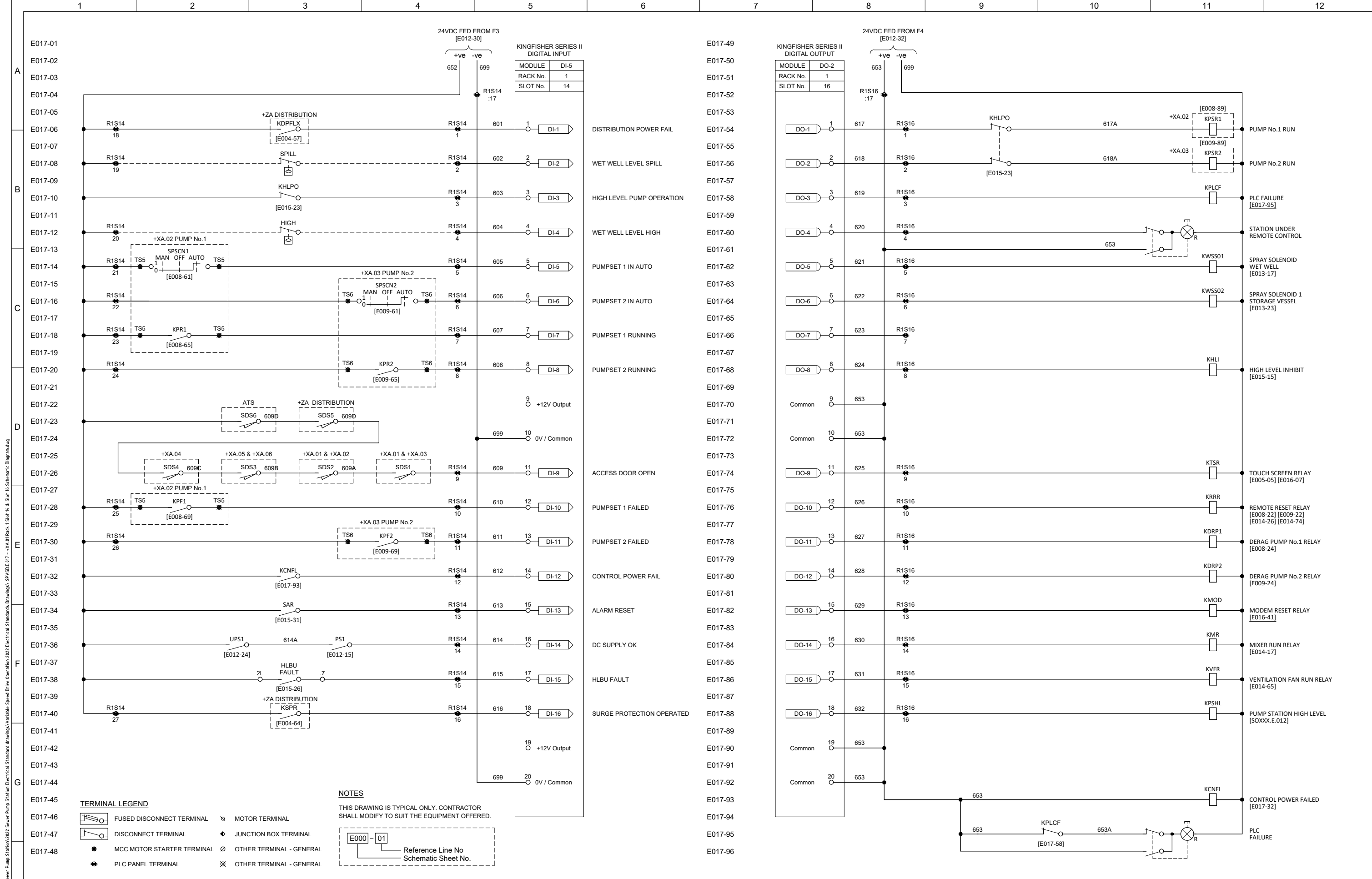
COPYRIGHT
THIS DOCUMENT IS AND SHALL REMAIN THE PROPERTY OF SOUTH EAST WATER. THIS DOCUMENT MAY ONLY BE USED FOR THE PURPOSE FOR WHICH IT WAS COMMISSIONED AND IN ACCORDANCE WITH THE TERMS OF ENGAGEMENT FOR THE COMMISSION. THIS DESIGN SHOULD NOT BE COPIED OR AMENDED WITHOUT WRITTEN PERMISSION FROM SOUTH EAST WATER. UNAUTHORISED USE OF THIS DOCUMENT IN ANY WAY IS PROHIBITED.



101 Wells Street, Frankston, VIC 3199 W : www.sew.com.au
T : 61 3 9552 3000 F : 61 3 9552 3001 E : info@sew.com.au

SEWER PUMP STATION
DESIGN DRAWINGS STANDARDS
+XA.01 RTU, MODEM, CABINET CAMERA & HMI
SCHEMATIC DIAGRAM

DATUM:	
MELWAY REF:	
SCALE:	SHEET SIZE: A1
SEW DRAWING NUMBER	
SPVSD.E.016	0
SEW JOB No:	REV



CAD FILE NAME: C:\Michael's Backlog\16 - SP Sewer Pump Station\2022 Electrical Standards Drawings\SPVSD.E.017 - +XA.01 Rack 1 Slot 14 & Slot 16 Schematic Diagram.dwg
 Plotter @ 05/9/2022 2:45pm by mlm

TERMINAL LEGEND

	FUSED DISCONNECT TERMINAL		MOTOR TERMINAL
	DISCONNECT TERMINAL		JUNCTION BOX TERMINAL
	MCC MOTOR STARTER TERMINAL		OTHER TERMINAL - GENERAL
	PLC PANEL TERMINAL		OTHER TERMINAL - GENERAL

NOTES

THIS DRAWING IS TYPICAL ONLY. CONTRACTOR SHALL MODIFY TO SUIT THE EQUIPMENT OFFERED.

Reference Line No. Schematic Sheet No.

REV	DESCRIPTION	JOB No	DRAFTER	DES. REVIEW	PM APP'D	DATE	VENDOR DRAWING No.
0	REDRAW 2022		M.L.			15.03.22	

DESIGNER	M.LIM	2022	SEW PROJECT MANAGER
DESIGN REVIEW	DRAFT CHECK		ASSET/ENG. MANAGER
APPROVED			

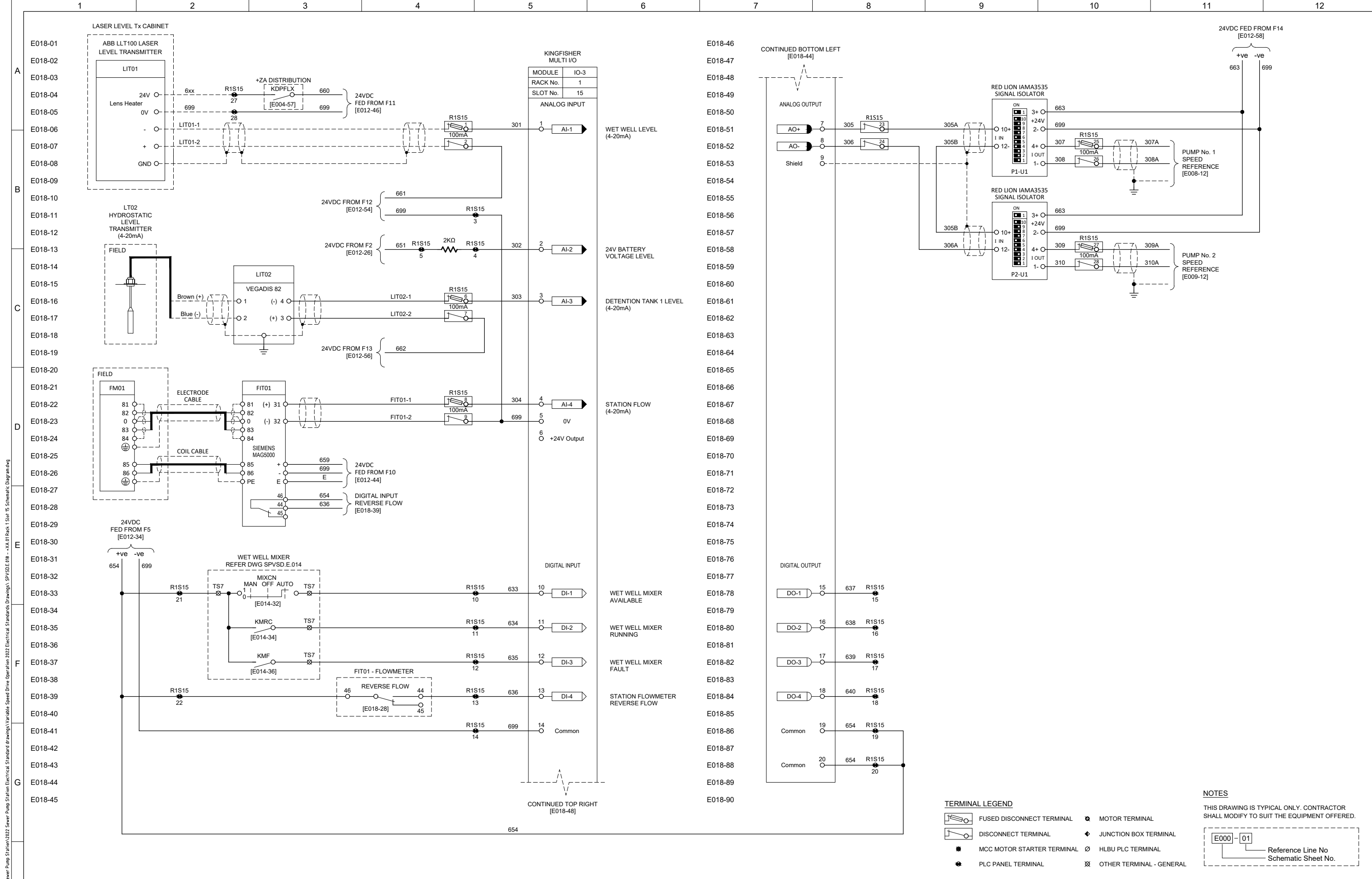
COPYRIGHT
THIS DOCUMENT IS AND SHALL REMAIN THE PROPERTY OF SOUTH EAST WATER. THIS DOCUMENT MAY ONLY BE USED FOR THE PURPOSE FOR WHICH IT WAS COMMISSIONED AND IN ACCORDANCE WITH THE TERMS OF ENGAGEMENT FOR THE COMMISSION. THIS DESIGN SHOULD NOT BE COPIED OR AMENDED WITHOUT WRITTEN PERMISSION FROM SOUTH EAST WATER. UNAUTHORISED USE OF THIS DOCUMENT IN ANY WAY IS PROHIBITED. ©



101 Wells Street, Frankston, VIC 3199 W : www.sew.com.au
 T : 61 3 9552 3000 F : 61 3 9552 3001 E : info@sew.com.au

SEWER PUMP STATION
DESIGN DRAWINGS STANDARDS
+XA.01 RACK 1 SLOT 14 & SLOT 16
SCHEMATIC DIAGRAM

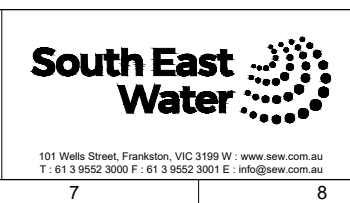
DATUM:	
MELWAY REF:	
SCALE:	SHEET SIZE: A1
SEW DRAWING NUMBER	
SPVSD.E.017	
SEW JOB No:	0
REV	12



REV	DESCRIPTION	JOB No	DRAFTER	DES REVIEW	PM APP'D	DATE	VENDOR DRAWING No.
0	REDRAW 2022		M.L.			15.03.22	

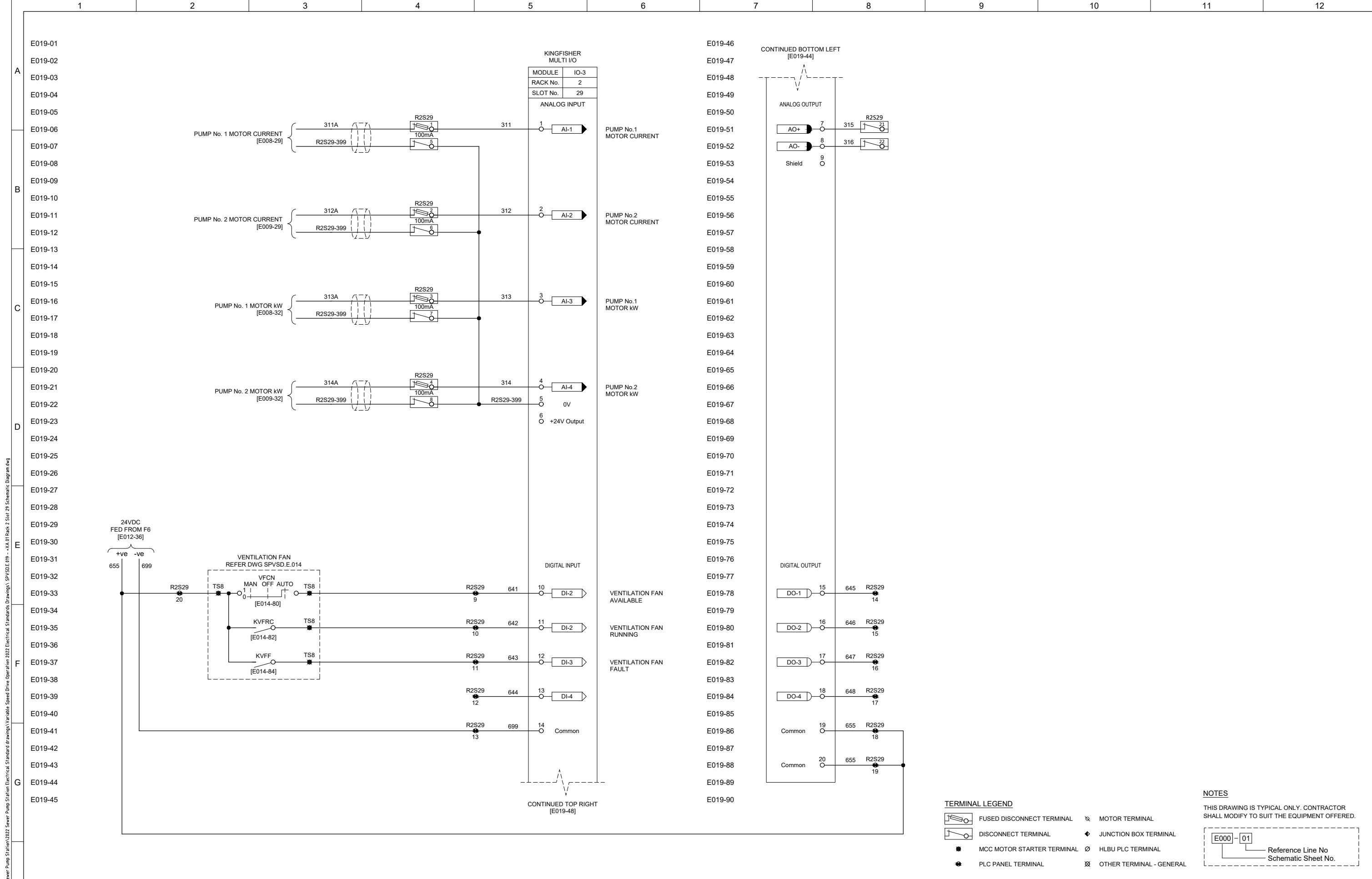
DESIGNER	DRAFTER	SEW PROJECT MANAGER
M.LIM	M.LIM	
DESIGN REVIEW	DRAFT CHECK	ASSET/ENG. MANAGER
APPROVED		

COPYRIGHT
 THIS DOCUMENT IS AND SHALL REMAIN THE PROPERTY OF SOUTH EAST WATER. THIS DOCUMENT MAY ONLY BE USED FOR THE PURPOSE FOR WHICH IT WAS COMMISSIONED AND IN ACCORDANCE WITH THE TERMS OF ENGAGEMENT FOR THE COMMISSION. THIS DESIGN SHOULD NOT BE COPIED OR AMENDED WITHOUT WRITTEN PERMISSION FROM SOUTH EAST WATER. UNAUTHORISED USE OF THIS DOCUMENT IN ANY WAY IS PROHIBITED.



SEWER PUMP STATION
DESIGN DRAWINGS STANDARDS
+XA.01 RACK 1 SLOT 15
SCHEMATIC DIAGRAM

DATUM:	
MELWAY REF:	
SCALE:	SHEET SIZE: A1
SEW DRAWING NUMBER	
SPVSD.E.018	
SEW JOB No:	0
	REV

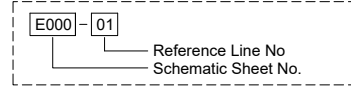


TERMINAL LEGEND

- FUSED DISCONNECT TERMINAL
- DISCONNECT TERMINAL
- MCC MOTOR STARTER TERMINAL
- PLC PANEL TERMINAL
- MOTOR TERMINAL
- JUNCTION BOX TERMINAL
- HLBU PLC TERMINAL
- OTHER TERMINAL - GENERAL

NOTES

THIS DRAWING IS TYPICAL ONLY. CONTRACTOR SHALL MODIFY TO SUIT THE EQUIPMENT OFFERED.



REV	DESCRIPTION	JOB No	DRAFTER	DES REVIEW	PM APP'D	DATE
0	REDRAW 2022		M.L.			15.03.22

DESIGNER	DRAFTER	SEW PROJECT MANAGER
M.LIM	2022	
DESIGN REVIEW	DRAFT CHECK	ASSET/ENG. MANAGER
APPROVED		

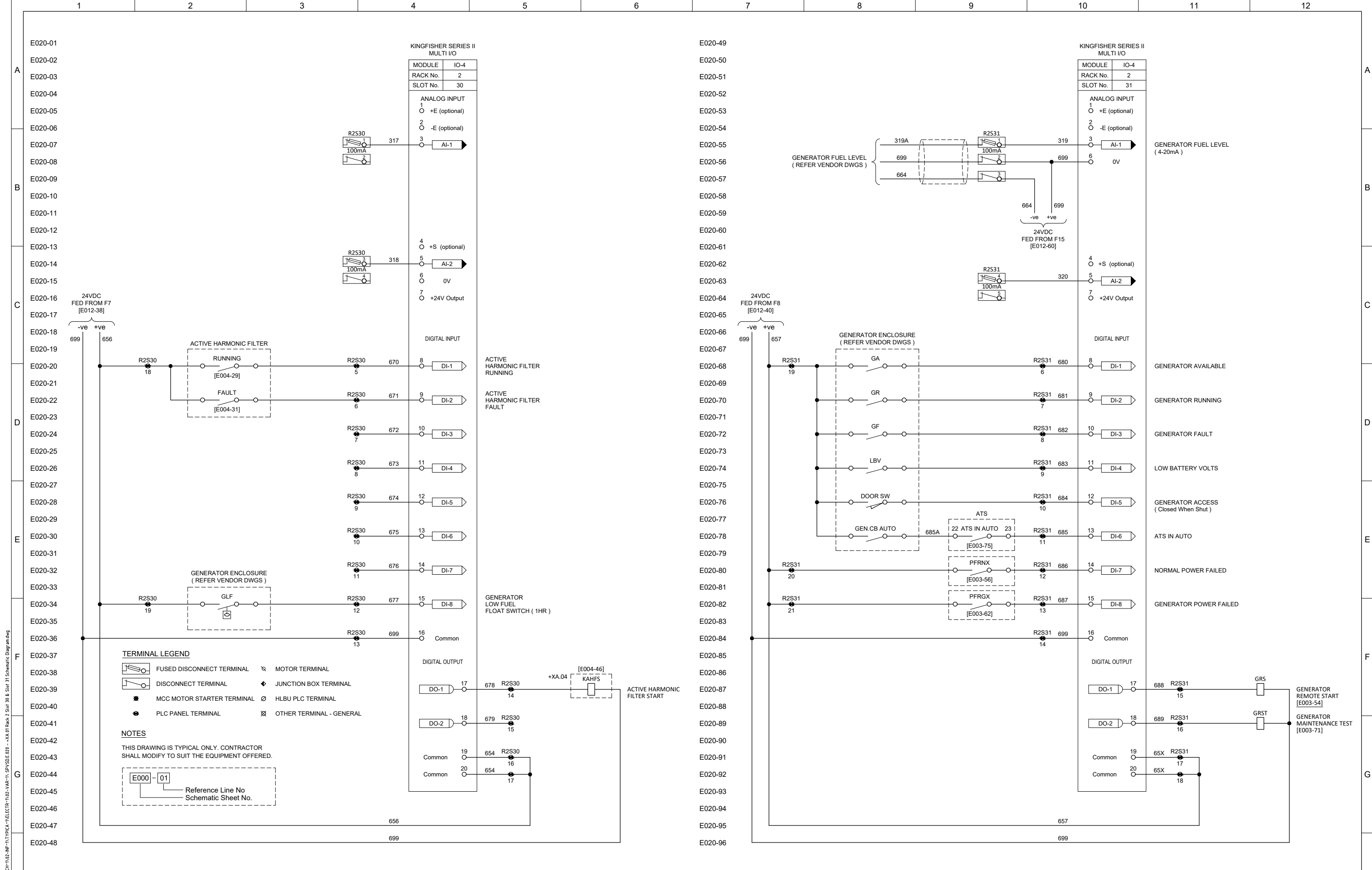
COPYRIGHT
 THIS DOCUMENT IS AND SHALL REMAIN THE PROPERTY OF SOUTH EAST WATER. THIS DOCUMENT MAY ONLY BE USED FOR THE PURPOSE FOR WHICH IT WAS COMMISSIONED AND IN ACCORDANCE WITH THE TERMS OF ENGAGEMENT FOR THE COMMISSION. THIS DESIGN SHOULD NOT BE COPIED OR AMENDED WITHOUT WRITTEN PERMISSION FROM SOUTH EAST WATER. UNAUTHORISED USE OF THIS DOCUMENT IN ANY WAY IS PROHIBITED.



101 Wells Street, Frankston, VIC 3199 W : www.sew.com.au
 T : 61 3 9552 3000 F : 61 3 9552 3001 E : info@sew.com.au

**SEWER PUMP STATION
 DESIGN DRAWINGS STANDARDS
 +XA.01 RACK 2 SLOT 29
 SCHEMATIC DIAGRAM**

DATUM:	
MELWAY REF:	
SCALE:	SHEET SIZE: A1
SEW DRAWING NUMBER	
SPVSD.E.019	0
SEW JOB No:	REV



DESIGNER		DRAFTER		SEW PROJECT MANAGER		COPYRIGHT		SEWER PUMP STATION		DATUM:	
M.LIM		M.LIM		2022		THIS DOCUMENT IS AND SHALL REMAIN THE PROPERTY OF SOUTH EAST WATER. THIS DOCUMENT MAY ONLY BE USED FOR THE PURPOSE FOR WHICH IT WAS COMMISSIONED AND IN ACCORDANCE WITH THE TERMS OF ENGAGEMENT FOR THE COMMISSION. THIS DESIGN SHOULD NOT BE COPIED OR AMENDED WITHOUT WRITTEN PERMISSION FROM SOUTH EAST WATER. UNAUTHORISED USE OF THIS DOCUMENT IN ANY WAY IS PROHIBITED.		DESIGN DRAWINGS STANDARDS		MELWAY REF:	
DESIGN REVIEW		DRAFT CHECK		ASSET/ENG. MANAGER		101 Wells Street, Frankston, VIC 3199 W : www.sew.com.au T : 61 3 9552 3000 F : 61 3 9552 3001 E : info@sew.com.au		+XA.01 RACK 2 SLOT 30 & SLOT 31		SCALE:	
APPROVED								SCHEMATIC DIAGRAM		SHEET SIZE: A1	
0 REDRAW 2022		M.L.		15.03.22		VENDOR DRAWING No:		SEW DRAWING NUMBER		REV	
1 DESCRIPTION		JOB No		DRAFTER		DES REVIEW		PM APPD		DATE	
								SPVSD.E.020		0	
								SEW JOB No:		12	

MAIN SWITCHBOARD CONSTRUCTION NOTES :

- SWITCHBOARD TO BE CONSTRUCTED FROM MARINE GRADE ALUMINIUM MINIMUM THICKNESS 3mm (H34 5005 GRADE)
ALL EXTERNAL WELDS SHALL BE CONTINUOUS FILLET WELDS
- SWITCHBOARD CONSTRUCTION TO FORM 3aih TO AS/NZS 3439.1 DEGREE OF PROTECTION IP56
- ALL INTERNAL DOORS, PANELS, ESCUTCHEONS, GEAR TRAYS FROM 3mm MILD STEEL

ALL INTERNAL DOORS & ESCUTCHEONS TO BE FITTED WITH M6 EARTH STUDS

ALL GEAR TRAYS TO BE REMOVABLE UNLESS OTHERWISE NOTED
- ALL EXTERIOR DOORS TO BE FITTED WITH :
 - HIGH DENSITY NEOPRENE SEALING STRIPS & ALUMINIUM RETAINING STRIPS
 - 100 x 40 x 20 RECESSED WELDED HANDLES - ALUMINIUM
 - DOOR STIFFENER
 - DOCUMENT HOLDER 280 x 280 x 60 (AS SHOWN)
- DOOR LOCKING :
 - INTERNAL DOORS - MINI 'T' HANDLE KEYED TO CL001 (½ TURN)
 - EXTERNAL DOORS
 - TOP LOCK - 100 NIGHTLATCH, ABLOY 201 CYLINDERS 5AP100 KEYING SYSTEM. M3 KEYS BY API SECURITY
 - BOTTOM LOCK - 213 DEADBOLT, ABLOY 201 CYLINDERS 5AP100 KEYING SYSTEM. M3 KEYS BY API SECURITY
 - TOP LOCK - 100 NIGHTLATCH, ABLOY 201 CYLINDERS VPIL KEYING SYSTEM. AA2445 KEYS SUPPLY AUTHORITY LOCK
 - BOTTOM LOCK - 213 DEADBOLT, ABLOY 201 CYLINDERS VPIL KEYING SYSTEM. AA2445 KEYS SUPPLY AUTHORITY LOCK
- DOORS HINGES : LENLOCK STAINLESS STEEL LIFT OFF TYPE. TOP HINGE PIN 5mm LONGER THAN OTHERS
- FIT ALL INTERNAL & EXTERNAL HINGED DOORS WITH STAINLESS STEEL DOOR STAYS (BOTTOM) TO SECURE IN THE OPEN POSITION.
ALL DOOR STAYS ARE TO BE ATTACHED TO THE SWITCHBOARD
- MINIMUM OPENING FOR ALL EXTERNAL DOORS 120°
- MINIMUM OPENING FOR ALL INTERNAL DOORS 105°
- ALL EXTERNAL LOUVRES TO BE PRESSED IN THE ALUMINIUM ARE TO BE FITTED WITH 'ORNAMESH' ALUMINIUM MESHING
- GLAND PLATES 3mm ALUMINIUM COLOUR MATCHED TO CABINET INTERNAL. NEOPRENE RUBBER SEAL TO BE FITTED ON LIP OF THE GLAND PLATES
- NO SWITCHBOARD EQUIPMENT SHALL BE INSTALLED ON EXTERNAL SIDE WALLS
- CUBICLE PLINTH - HOT DIPPED GALVANISED STEEL (75mm x 40mm x 5mm CHANNEL) TOE OUT ALL ROUND

PROVIDE 50mm x 65mm x 5mm PLATE WELDED ON EACH END (FRONT AND BACK) FOR RETAINMENT OF LIFTING ROD, BAR OR SLING
PROVIDE 50mm x 50mm x 5mm ANGLE CROSS BRACES
PROVIDE 100mm x 50mm ANCHOR (WITH 14mmØ ANCHOR HOLES) WELDED TO PLINTH
- OUTER DOORS TO BE FITTED WITH NEOPRENE RUBBER SEALS
- "WET" SECTION TO BE FULLY WELDED AND SEALED.

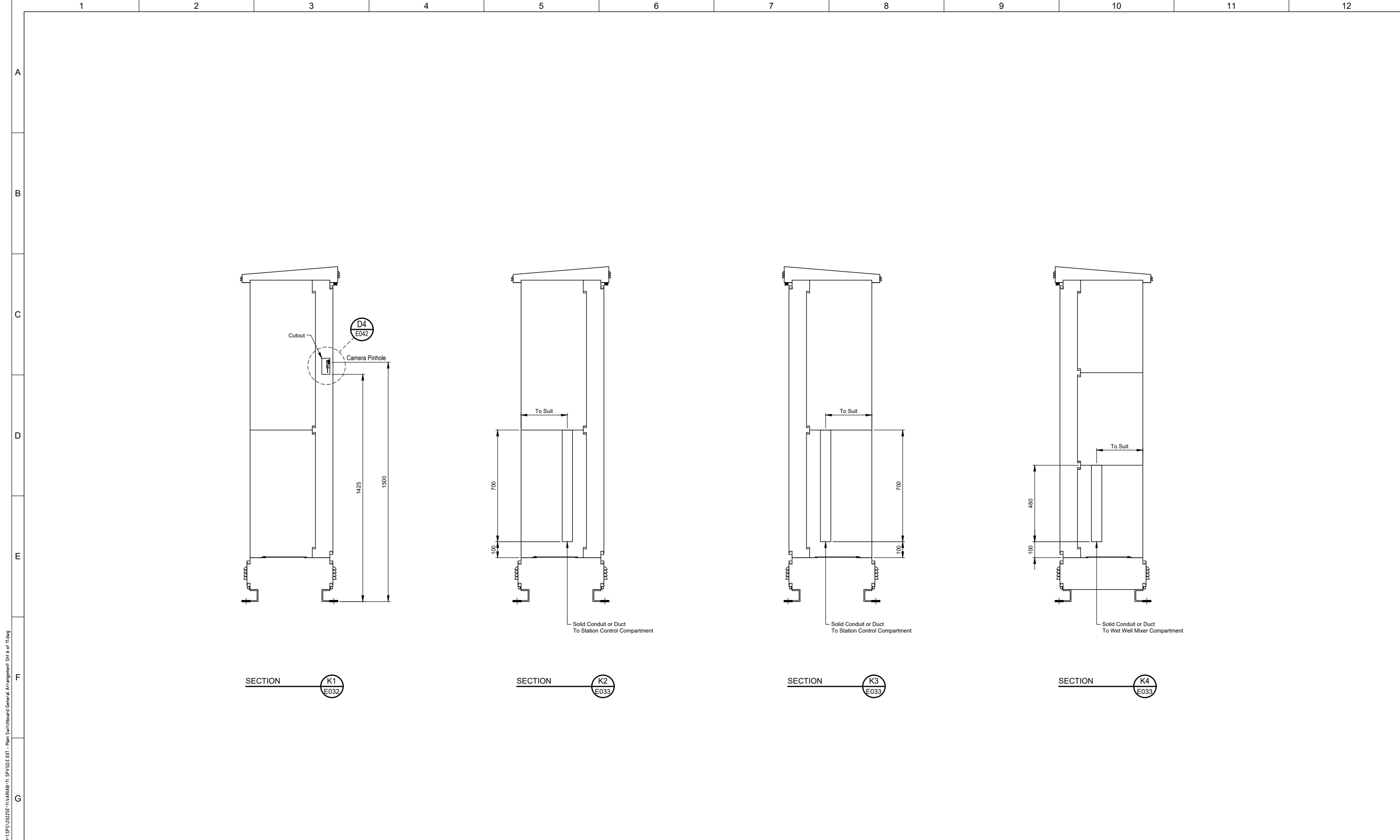
FINISH :

EXTERNAL : POWDER COATED RIVERGUM GREEN G62 TO AS2700 (GLOSS)

INTERNAL : ALL INNER SURFACES, INNER DOORS, ESCUTCHEONS, GEAR TRAYS AND MOUNTING PLATES POWDER COAT COLOUR - GLOSS WHITE N14

ALL POWDER COATING SHALL BE A MINIMUM THICKNESS OF 75 MICRONS

DESIGNER		DRAFTER		SEW PROJECT MANAGER		COPYRIGHT		SEWER PUMP STATION		DATUM:		H	
M.LIM		M.LIM		2022		THIS DOCUMENT IS AND SHALL REMAIN THE PROPERTY OF SOUTH EAST WATER. THIS DOCUMENT MAY ONLY BE USED FOR THE PURPOSE FOR WHICH IT WAS COMMISSIONED AND IN ACCORDANCE WITH THE TERMS OF ENGAGEMENT FOR THE COMMISSION. THIS DESIGN SHOULD NOT BE COPIED OR AMENDED WITHOUT WRITTEN PERMISSION FROM SOUTH EAST WATER. UNAUTHORISED USE OF THIS DOCUMENT IN ANY WAY IS PROHIBITED. ©		DESIGN DRAWINGS STANDARDS		MELWAY REF:		H	
DESIGN REVIEW		DRAFT CHECK		ASSET/ENG. MANAGER				MAIN SWITCHBOARD		SCALE:		SHEET SIZE: A1	
APPROVED								CONSTRUCTION NOTES		SEW DRAWING NUMBER			
0		REDDRAW 2022		M.L.		15.03.22		VENDOR DRAWING No:		SPVSD.E.030		0	
REV		DESCRIPTION		JOB No		DRAFTER		DES REVIEW		PM APPD		DATE	
1		2		3		4		5		6		7	
8		9		10		11		12		11		12	



SECTION K1
E032

SECTION K2
E033

SECTION K3
E033

SECTION K4
E033

NOTES

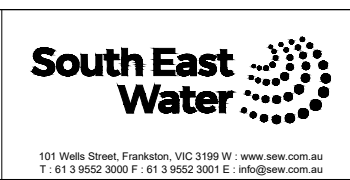
THIS DRAWING IS TYPICAL ONLY. CONTRACTOR SHALL MODIFY TO SUIT THE EQUIPMENT OFFERED.

CAD FILE NAME: X:\DRAWING\03-ELC\1\0319-1\HC\024ED1\INF\1\B99-1\SPVSD.E.037 - Main Switchboard General Arrangement SH 6 of 11.dwg

REV	DESCRIPTION	JOB No	DRAFTER	DES. REVIEW	PM APP'D	DATE
1	MINOR REVISION		M.L.			03.10.22
0	REDRAW 2022		M.L.			15.03.22

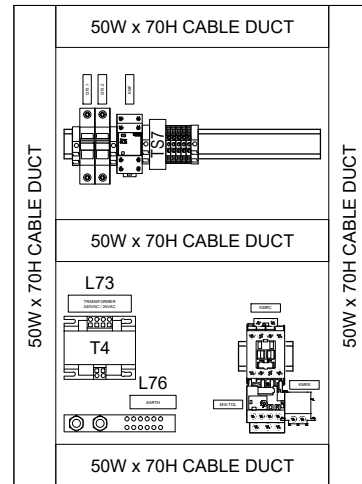
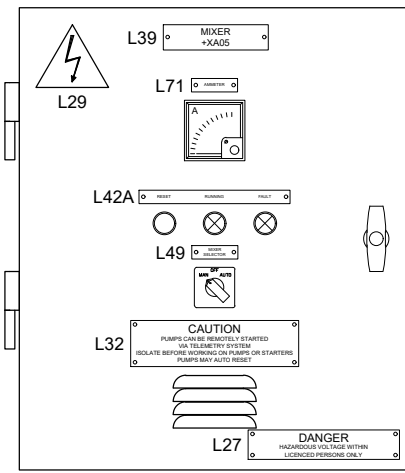
DESIGNER	DRAFTER	SEW PROJECT MANAGER
	M.LIM	
DESIGN REVIEW	DRAFT CHECK	ASSET/ENG. MANAGER
APPROVED		

COPYRIGHT
THIS DOCUMENT IS AND SHALL REMAIN THE PROPERTY OF SOUTH EAST WATER. THIS DOCUMENT MAY ONLY BE USED FOR THE PURPOSE FOR WHICH IT WAS COMMISSIONED AND IN ACCORDANCE WITH THE TERMS OF ENGAGEMENT FOR THE COMMISSION. THIS DESIGN SHOULD NOT BE COPIED OR AMENDED WITHOUT WRITTEN PERMISSION FROM SOUTH EAST WATER. UNAUTHORISED USE OF THIS DOCUMENT IN ANY WAY IS PROHIBITED.

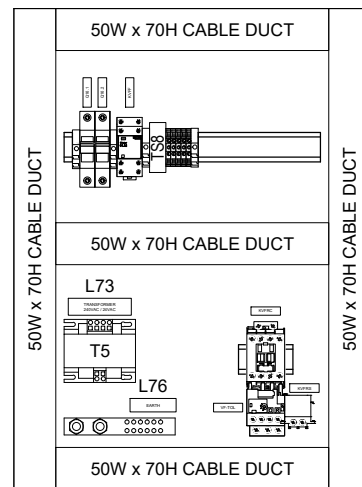
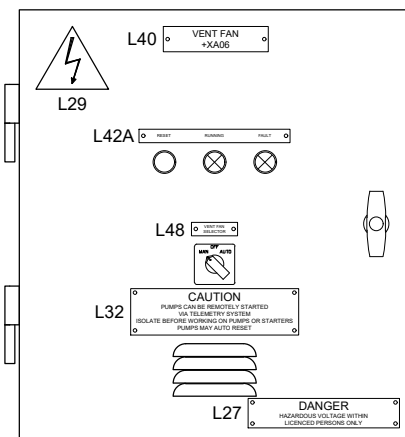


**SEWER PUMP STATION
DESIGN DRAWINGS STANDARDS
MAIN SWITCHBOARD GENERAL ARRANGEMENT
SHEET 6 OF 11**

DATUM:	
MELWAY REF:	
SCALE:	SHEET SIZE: A1
SEW DRAWING NUMBER	
SPVSD.E.037	
SEW JOB No:	REV
	1



Wet Well Mixer
Door & Gear Tray Details (N.T.S)



Ventilation Fan
Door & Gear Tray Details (N.T.S)

NOTES
THIS DRAWING IS TYPICAL ONLY. CONTRACTOR SHALL MODIFY TO SUIT THE EQUIPMENT OFFERED.

CAD FILE NAME: X:\DRAWING\103-ELC-112-MCH-112-112-ELECTR-112-VAR-11-SPVSD.E.041 - Main Switchboard General Arrangement SH 10 of 11.dwg

REV	DESCRIPTION	JOB No	DRAFTER	DES REVIEW	PM APPD	DATE
1	MINOR REVISION		M.L.			03.10.22
0	REDRAW 2022		M.L.			15.03.22

DESIGNER	DRAFTER	SEW PROJECT MANAGER
	M.LIM	
DESIGN REVIEW	DRAFT CHECK	ASSET/ENG. MANAGER
APPROVED		

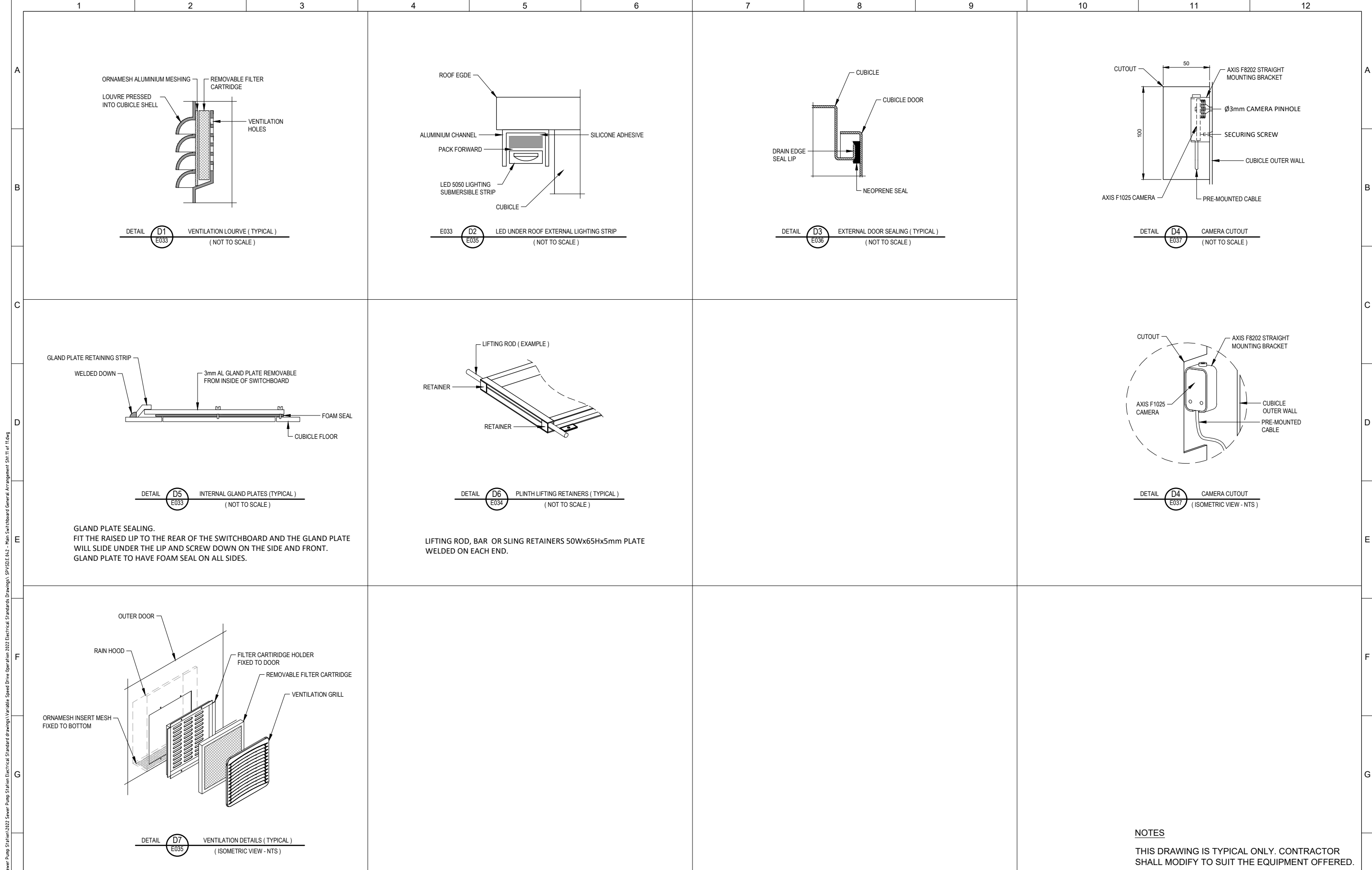
COPYRIGHT
THIS DOCUMENT IS AND SHALL REMAIN THE PROPERTY OF SOUTH EAST WATER. THIS DOCUMENT MAY ONLY BE USED FOR THE PURPOSE FOR WHICH IT WAS COMMISSIONED AND IN ACCORDANCE WITH THE TERMS OF ENGAGEMENT FOR THE COMMISSION. THIS DESIGN SHOULD NOT BE COPIED OR AMENDED WITHOUT WRITTEN PERMISSION FROM SOUTH EAST WATER. UNAUTHORISED USE OF THIS DOCUMENT IN ANY WAY IS PROHIBITED ©

South East Water

101 Wells Street, Frankston, VIC 3199 W : www.sew.com.au
T : 61 3 9552 3000 F : 61 3 9552 3001 E : info@sew.com.au

SEWER PUMP STATION
DESIGN DRAWINGS STANDARDS
MAIN SWITCHBOARD GENERAL ARRANGEMENT
SHEET 10 OF 11

DATUM:	
MELWAY REF:	
SCALE:	SHEET SIZE: A1
SEW DRAWING NUMBER	
SPVSD.E.041	
SEW JOB No:	1
	REV



GLAND PLATE SEALING.
 FIT THE RAISED LIP TO THE REAR OF THE SWITCHBOARD AND THE GLAND PLATE WILL SLIDE UNDER THE LIP AND SCREW DOWN ON THE SIDE AND FRONT. GLAND PLATE TO HAVE FOAM SEAL ON ALL SIDES.

LIFTING ROD, BAR OR SLING RETAINERS 50Wx65Hx5mm PLATE WELDED ON EACH END.

NOTES
 THIS DRAWING IS TYPICAL ONLY. CONTRACTOR SHALL MODIFY TO SUIT THE EQUIPMENT OFFERED.

DESIGNER M.LIM 2022			DRAFTER M.LIM 2022			SEW PROJECT MANAGER			COPYRIGHT "THIS DOCUMENT IS AND SHALL REMAIN THE PROPERTY OF SOUTH EAST WATER. THIS DOCUMENT MAY ONLY BE USED FOR THE PURPOSE FOR WHICH IT WAS COMMISSIONED AND IN ACCORDANCE WITH THE TERMS OF ENGAGEMENT FOR THE COMMISSION. THIS DESIGN SHOULD NOT BE COPIED OR AMENDED WITHOUT WRITTEN PERMISSION FROM SOUTH EAST WATER. UNAUTHORISED USE OF THIS DOCUMENT IN ANY WAY IS PROHIBITED."		
DESIGN REVIEW			DRAFT CHECK			ASSET/ENG. MANAGER					
APPROVED			APPROVED			APPROVED			SEWER PUMP STATION DESIGN DRAWINGS STANDARDS MAIN SWITCHBOARD GENERAL ARRANGEMENT SHEET 11 OF 11		
0 REDRAW 2022			M.L.			15.03.22			DATUM: MELWAY REF: SCALE: SHEET SIZE: A1 SEW DRAWING NUMBER SPVSD.E.042 SEW JOB No:		
1 DESCRIPTION			JOB No			DRAFTER			0 REV		
DES			PM			DATE			0 REV		
APPD			DATE			DATE			0 REV		