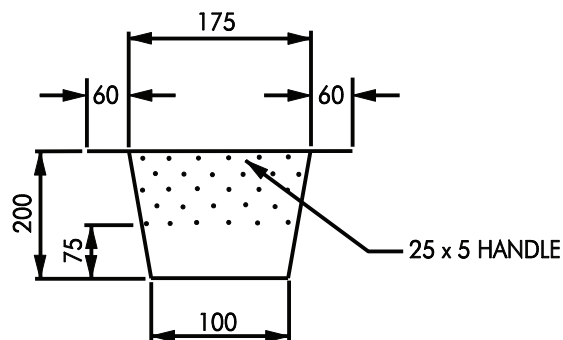


SILT TRAP ASSEMBLY



BUCKET SPECIFICATION

Notes:

1. Various silt trap designs are available. Consideration should be given to the appropriate silt trap design for the application.
2. Bucket to be constructed of 3mm min. Thick mild steel plate with 5 rows of 10mm diameter holes at 25mm centres.
3. Bucket to be galvanised after fabrication.
4. The silt trap must be constructed, installed and connected in accordance with the relevant plumbing regulations.



20 Corporate Drive
Heatherton, Vic 3202

Silt Trap

APPROVED:
JEFF WINEBERG

DRAWN BY:
MACINTOLOGY

SCALE:
N.T.S.

DRAWING NO:

AM 13

DATE:
01 / 07 / 2007